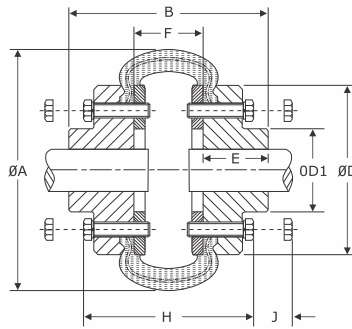
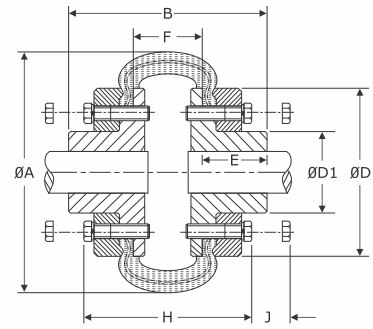


Size UT 0040 to 0060



Size UT 0070 to 0120



Size UT 0140 to 0180

**FEATURES**

- High flexibility & highest misalignment tolerances (angular – Max 4°)
- Elastomer is designed to shear in the event of tyre failure. The torque transmission is stopped as tyre shears at failure, thus protecting the machinery
- Better protection in impact load & heavy shocks
- Easy to assemble & disassemble
- Lubrication free
- Range up to 16500 Nm

**Dimensions & Technical Data**

Size	Rated Torque Nm	kW Rating at 100 rpm	Min. bore	Max. bore	Max. speed rpm	Dimensions in mm								Torsional Stiffness Nm/rad	Max. Misalignment (mm)	
						Ø A	Ø D	Ø D1	B	E	F	H	J		Parallel	End float ±
0040	21	0.22	10	30	4500	104	82	82	67	22	22	-	43	286	1.10	1.30
0045	37	0.39	10	32	4500	120	94	94	73	25	24	-	43	515	1.20	1.50
0050	53	0.56	14	38	4500	133	100	79	92	32	25	-	43	745	1.30	1.70
0060	106	1.11	15	48	4000	165	125	73	112	38	33	-	43	1490	1.60	2.00
0070	162	1.70	15	55	3600	197	144	82	132	45	40	101	10	2349	1.90	2.30
0080	253	2.65	20	65	3100	211	167	95	150	51	43	106	10	3610	2.10	2.60
0085	306	3.20	20	70	3000	222	180	103	153	53	44	107	13	4354	2.20	2.80
0090	365	3.82	20	76	2880	235	190	110	164	57	46	119	13	5214	2.40	3.00
0100	505	5.29	25	85	2600	254	216	124	178	60	48	123	13	7219	2.60	3.30
0110	712	7.46	30	90	2300	279	233	134	180	65	44	127	14	10199	2.90	3.70
0120	1184	12.40	35	102	2050	314	264	152	207	76	49	140	14	16960	3.20	4.00
0140	1881	19.70	50	120	1800	359	313	195	204	89	24	152	14	26929	3.70	4.60
0160	3113	32.60	60	140	1600	402	345	216	220	102	30	156	19	44576	4.20	5.30
0180	5481	57.40	70	150	1500	470	398	266	258	114	46	188	19	79068	4.80	6.00

**MATERIAL SPECIFICATIONS**

Flange	Size-0040-0180	Cast Iron	CI	DIN 1693 GG 20
Tyre	All Size	Natural Rubber	NR	ASTM D 2000 810
Clamping Ring	Size-0040 - 0180	Mild Steel	St	BS 970
Hex Bolt	Size-0040 - 0180	High Tensile	St	ISO 4014 : Gr 8.8



• For temperature range of elastomers please see on page no. 34 - coupling selection