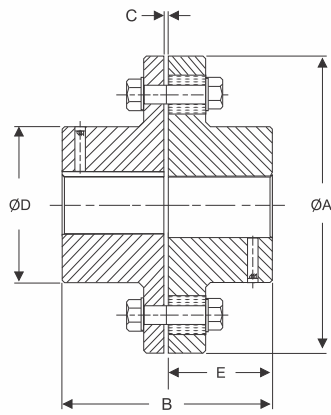


UTL UPB COUPLINGS

(Coupling with Plain Bushes)



Coupling with std. bushes

FEATURES

- Age old proven concept
- Better misaligning tolerances
- Standard bushes (element) in natural rubber. Different elements available on request
- The flexible bushes remain unaffected by water, dust and atmospheric conditions
- Range up to 23780 Nm
- Working temperature up to 70° C

Dimensions & Technical Data

Size	Rated Torque Nm	kW Rating at			Min. bore	Max. bore	Max. speed rpm	Dimensions in mm					No. of holes
		100 rpm	1440 rpm	3000 rpm				ø A	B	E	C	ø D	
95	77	0.81	11.66	24.3	12.7	28	6100	95	79	38	3	40	3
114	310	3.25	46.8	97.5	12.7	30	5100	114	99	48	3	42	4
130	516	5.4	77.8	162	16	42	4400	130	105	51	3	60	6
160	621	6.5	93.6	195	16	48	3600	160	107	51	5	68	4
191	831	8.7	125.3	261	20	65	3000	191	125	60	5	90	4
191	1241	13	187.5	390	20	65	3000	191	125	60	5	90	6
200	1241	13	187.5	390	20	65	2800	200	125	60	5	90	6
225	1662	17.4	250.6	-	25	75	2600	225	157	76	5	105	6
254	2359	24.7	355.7	-	45	90	2300	254	183	89	5	135	8
254	2932	30.7	442	-	45	90	2300	254	183	89	5	135	10
254	3533	37	532.6	-	45	90	2300	254	183	89	5	135	12
290	4154	43.5	626.4	-	60	115	1950	290	235	115	5	170	12
300	5195	54.4	783.4	-	60	120	1900	300	235	115	5	180	14
310	5816	60.9	877	-	65	130	1850	310	255	125	5	195	16
340	7268	76.1	1096	-	65	135	1650	340	265	130	5	200	18
360	8729	91.4	1316	-	70	140	1590	360	276	135	6	210	12
390	9932	104	-	-	80	150	1470	390	316	155	6	225	14
410	13274	139	-	-	90	160	1400	410	336	165	6	240	15
440	14420	151	-	-	100	170	1300	440	366	180	6	255	16
480	18050	181	-	-	110	180	1200	480	386	190	6	270	18
530	23780	249	-	-	120	190	1080	530	406	200	6	285	20

MATERIAL SPECIFICATIONS

Hub	Size-95-360	Cast Iron	CI	DIN 1693 GG 20
Hub	Size-360-530	Cast Iron	CI	DIN 1693 GG 25
Bush 80° Shore A	All Size	Natural Rubber	NR	ASTM D2000 810
Coupling pin	All Size	Steel C 40	St	EN/DIN 10263-2

Alternative Bush for higher power ratings is available on request

Bush 92° Shore A	All Size	Natural Rubber	NR	ASTM D2000 910	Torque 1.6 times of standard
Bush 92° Shore A (Yellow Colour)	All Size	Polyurethane	PU		Torque 1.8 times of standard
Bush 98° Shore A (Red Colour)	All Size	Polyurethane	PU		Torque 2.5 times of standard



• For temperature range of elastomers please see on page no. 34 - coupling selection