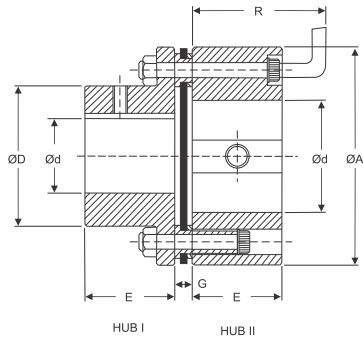
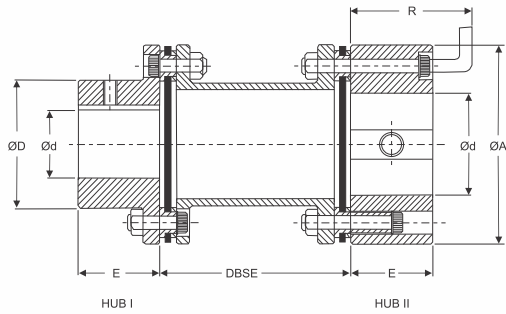


UTL UMS / UMK COUPLINGS

(Metalflex with Spacer)



FEATURES

- Power to weight ratio high
- Accommodates angular and axial misalignments
- High temperature application
- Visual inspection is possible without dismantling equipments
- Low axial stiffness with high torsional rigidity
- High-speed capacity
- Range up to 13367 Nm
- Added advantage of stretch fitted shim pack

Dimensions & Technical Data

Coupling Size	Torque Nm	kW at 100 rpm	Max Speed rpm	Dimension are in mm							Moment of Inertia kg.m ² Approx		Tors. Stiffness / radian Approx
				Min. Bore Ø d	Max. Bore Ø d		DBSE	E	Ø A	Ø D	Min. Std. 'DBSE'	Per Mtr Extra 'DBSE'	
					Hub I	Hub II							
5	33	0.35	7500	8	20	22	100	25	55	30	0.0002	0.0003	0.016
10	64	0.67	7500	10	22	25	140	30	63	35	0.0003	0.0004	0.031
35	160	1.67	7000	12	30	38	100	40	82	45	0.0017	0.00047	0.025
95	515	5.4	6000	17	40	50		140	45	102	57	0.004	0.001
170	860	9	5200	17	52	70	180	55	128	77	0.012	0.005	0.099
220	1337	14	4800	22	65	80		180	60	146	94	0.036	0.008
400	2388	25	4400	27	80	100	250	70	176	115	0.070	0.0200	0.305
520	3342	35	4200	32	90	115		140	90	197	132	0.130	0.0355
1000	5060	53	4000	42	105	130	180	95	225	147	0.240	0.0541	0.60
1300	7161	75	3800	47	115	140	180	105	250	162	0.500	0.0700	0.80
2000	10025	105	3700	52	120	155	250	115	275	178	0.660	0.1486	1.50
2500	13367	140	3600	62	135	165	300	130	300	190	1.000	0.1000	1.40

• For non standard DBSE Please contact UTL

MATERIAL SPECIFICATIONS

Hub	Size- 5 - 2500	Steel C 40	St	EN/DIN 10263-2
Spacer	Size-100 - 300	Steel C 40	St	EN/DIN 10263-2
Disc Pack	Size-05 - 2500	Stainless Steel	SS	



• For temperature range of elastomers please see on page no. 34 - coupling selection