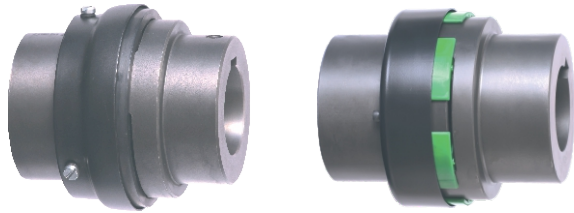


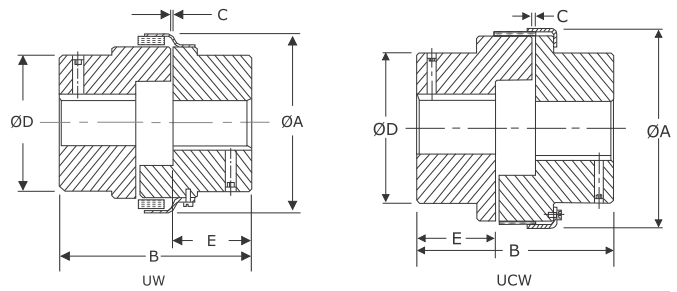


UTL FLEXIBLE COUPLINGS

Utkarsh
FLEXIBLE COUPLINGS
Revolutionizing Rotation



UTL UW / UCW COUPLINGS
(Snap Wrap / T Cushion Elastomer)



FEATURES

- Simple construction, quick and easy installation
- Snap-wrap design presets correct distance between hubs, using raised dimple on leg of the snap-wrap
- Snap-wrap are unaffected by moisture, grease and oils including non - aromatic and non - ketone solvents
- Temperatures within the range - 40°C to + 100°C
- Inspection / Replacement of Snap-wrap / T cushion within 5 minutes and only screw drive is required
- Above size 226 T cushion is used as an element
- Range up to 4308 Nm
- Maximum permissible misalignment: angular 1°, parallel 0.4 mm & axial 3 mm (initial alignment must be 25 % of maximum)

DIMENSIONS & TECHNICAL DATA

Size	Rated Torque Nm	kW Rating at			Dimensions are in mm							Torsional Stiffness Nm / rad	Weight in Kg approx	Moment of inertia (kg.m ²)
		100 rpm	1500 rpm	3000 rpm	Min. Bore	Max. Bore	ØA	B	C	ØD	E			
95	21	0.220	3.30	6.60	10	28	64	63	2	49	25	275	0.80	2.88 x 10 ⁻⁴
99	35	0.370	5.55	11.10	10	30	78	72	2	51	27	688	-	4.92 x 10 ⁻⁴
100	46	0.490	7.35	14.70	10	35	78	88	2	57	35	688	1.58	7.67 x 10 ⁻⁴
110	89	0.930	13.95	27.90	15	42	96	108	3	76	43	1719	3.31	2.77 x 10 ⁻³
150	141	1.490	22.35	44.70	15	48	111	115	3	80	45	2120	4.05	4.19 x 10 ⁻³
190	190	2.010	30.15	60.30	20	60	130	133	3	102	54	3495	7.70	0.0120
225	265	2.760	41.40	82.80	20	65	142	153	3	111	64	4584	10.70	0.0180
226	324	3.430	51.45	102.90	25	70	153	178	3	119	70	6990	15.00	0.0300
276	532	5.600	84.00	168.00	25	75	173	200	3	127	80	12720	21.000	0.0530
280	782	8.200	123.00	246.00	30	80	205	200	3	140	80	22517	29.00	0.1020
295	1279	13.400	201.00	-	40	95	251	238	3	162	95	51222	48.00	0.2710
2955	2132	22.400	336.00	-	50	105	251	264	3	180	108	85428	59.00	0.3200
300	3047	31.900	478.50	-	50	105	267	283	3	180	115	126395	86.00	0.4100
350	4308	45.000	675.00	-	50	115	318	309	3	200	128	183633	132.00	0.8210

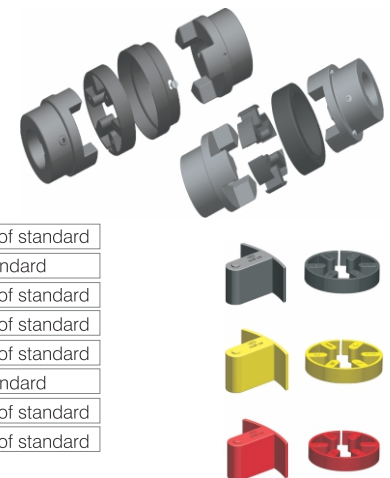
MATERIAL SPECIFICATIONS

Hub	Size - 095-225	Cast Iron	CI	DIN 1693 GG 25
Hub	Size - 226-350	Cast Iron	CI	DIN 1693 GG 25
Snap-wrap 80° Shore A	All Size	Synthetic Rubber	NBR	ASTM D2000 BG 810
T Cushion 80° Shore A	All Size	Synthetic Rubber	NBR	ASTM D2000 BG 810
Outer ring	Size - 095-350	Mild Steel	CRCA	BS 970

• Alternative Snap-wrap / T cushion for higher power ratings is available on request.

Snap-wrap 92° Shore A	All Size	Synthetic Rubber	NBR	ASTM D2000 BG 910	Torque 1.6 times of standard
Snap-wrap 80° Shore A	All Size	Synthetic Rubber	EPDM	ASTM D2000 AA 810	Torque as per standard
Snap-wrap 92° Shore A (Yellow Colour)	All Size	Polyurethane	PU		Torque 1.8 times of standard
Snap-wrap 98° Shore A (Red Colour)	All Size	Polyurethane	PU		Torque 2.5 times of standard
T Cushion 92° Shore A	All Size	Synthetic Rubber	NBR	ASTM D2000 BG 910	Torque 1.6 times of standard
T Cushion 80° Shore A	All Size	Synthetic Rubber	EPDM	ASTM D2000 AA 810	Torque as per standard
T Cushion 92° Shore A (Yellow Colour)	All Size	Polyurethane	PU		Torque 1.8 times of standard
T Cushion 98° Shore A (Red Colour)	All Size	Polyurethane	PU		Torque 2.5 times of standard

• Max speed not to exceed surface speed V = 35m / sec



• For temperature range of elastomers please see on page no. 47 - coupling selection

www.utlcoupling.com