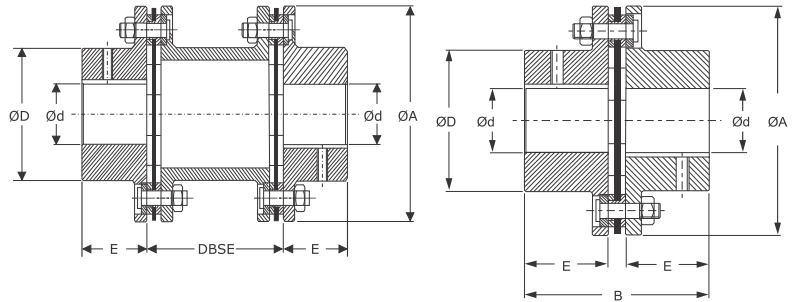




UTL FLEXIBLE COUPLINGS

Utkarsh
FLEXIBLE COUPLINGS
Revolutionizing Rotation

UTL UMS2 / UMK2 COUPLINGS
(Metalflex Couplings)



FEATURES

- Power to weight ratio high
- Accommodates angular and axial misalignments
- High temperature application
- Visual inspection is possible without dismantling equipments
- Low axial stiffness with high torsional rigidity
- High-speed capacity
- Range up to 13500 Nm
- Added advantage of stretch fitted shim pack

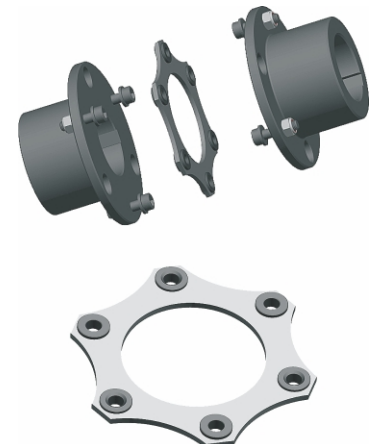
DIMENSIONS & TECHNICAL DATA

Size	Rated Torque Nm	Max. Speed rpm	Max. Bore Ød	Dimensions are in mm					B		Torsional Stiffness Nm/radial Approx	Wt in. Kg	Wt in. Kg	Moment of inertia (kg.m ²)
				Minimum DBSE	Std. DBSE Available	E	ØA	ØD	UMK2	UMS2		UMK2	UMS2	
20	30	20000	20	60	100 140 180 250 300	20	56	32	45	100	0.017	On request UTL will provide data.	On request UTL will provide data.	On request UTL will provide data. According to spacer length.
25	60	16000	25	60		25	68	40	56	110	0.028			
35	120	13000	35	70		40	82	54	86	150	0.092			
38	240	12000	38	80		45	94	58	98	170	0.198			
42	320	10000	42	80		45	104	68	100	170	0.282			
50	470	8000	50	96		55	126	78	121	206	0.501			
60	900	6700	60	96		55	138	88	121	206	0.560			
70	1300	5900	70	116		65	156	102	141	246	0.900			
80	1800	5100	80	136		75	179	117	164	286	1.140			
85	2600	4750	85	140		80	191	123	175	300	1.520			
90	4600	4300	90	140		80	210	132	175	300	1.940			
105	5600	4000	105	160		90	225	147	200	340	2.540			
115	9900	3400	115	170		100	265	163	223	370	3.480			
135	13500	3000	135	250		135	305	184	297	520	6.850			

• For non standard DBSE please contact UTL

MATERIAL SPECIFICATIONS

Hub	Size - 20 - 135	Steel C 40	St	EN/DIN 10263 - 2
Spacer	Size - 20 - 135	Steel C 40	St	EN/DIN 10263 - 2
Disc Pack	Size - 20 - 135	Stainless Steel	SS	



• For temperature range of elastomers please see on page no. 47 - coupling selection

www.utlcoupling.com